



GS VOCE 8N624

General Specifications

Nominal Diameter	200 mm
Nominal Impedance	4 ohm
Minium Impedance	3,4 ohm
Power RMS	450
Max Power	900
Frequency Range	100 ÷ 7000 Hz
Efficiency (Eta 0)	2,36%
Sensibility (1w - 1 mt)	96,1dB
Sensibility (2.83v)	100,1dB
Voice coil Diameter	62 mm
Voice Coil Wire	CCAW

Parameter Thiele Small

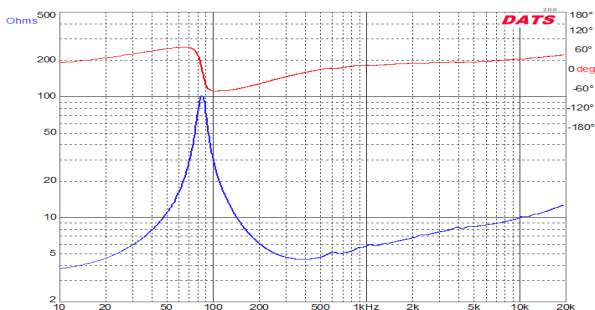
Re (ohm)	3,45
Fs (hz)	84,8
Le (mH)	0,15
Vas (L)	13,3
Cms (mm/N)	0,17
BxL (T*m)	10,7
Qts	0,32
Qms	9,4
Qes	0,33
Xmax (mm - one way)	4,0
Mms (g)	20,5

Technical Parameter

Voice coil winding height	13 mm
Voice coil forner	composite fiber
Magnet material	neodimium
Magnet dimension	110*6mm
Gap Height	8 mm
Demulation ring	yes
Crossover advice Hpf	100 hz-18db
Crossover advice Lpf	6000 hz-12db
Power advice minium	150wrms
Terminal connection	Push terminal
Surround Material	Cloth
Surround type	Dual wave
Cone material	Pressed paper

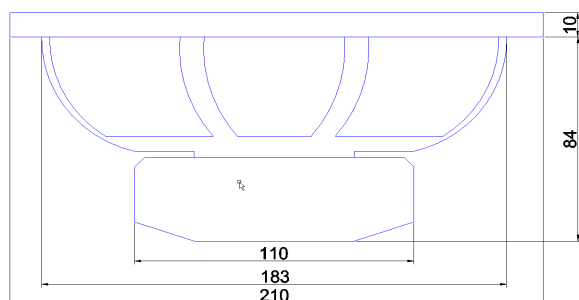
Dimension Speaker / Package

Outer diameter	210mm
Installation diameter	183mm
Mounting depth	84 mm
Magnet diameter	110 mm
Type basket	Alluminium
Volume speaker	1.1 L
Speaker Weight	1,8 kg
Pakage Weight	2,4 kg
Shipping box	24*24*11 cm



LogChirp: dB SPL 1/6 Octave 48kHz 16K Half Hanning Start 0.00ms Stop 341.31ms FreqLO 2.93Hz Length 34
File:

Drawing dimension / installation



Gs Audio Srl - www.gsaudio.it

Via matteotti 220/A - San Possidonio MO - Italy
Whatsapp + 393473263458 - Mail: info@gsaudio.it