



## GS VOCE 6F39

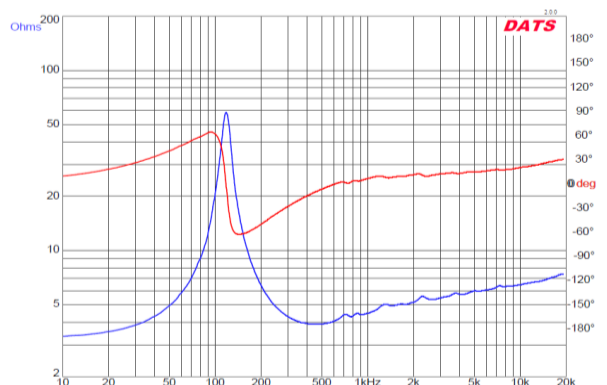
4 Ohm

### General Specifications

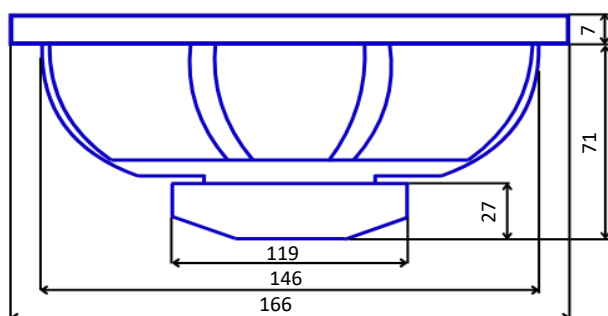
Nominal Diameter	160 mm
Nominal Impedance	4 Ohm
Minimum Impedance	3,25 Ohm
RMS Power	300 WRMS
Max Power	600 W
Frequency Range	95 ÷ 15000 Hz
Efficiency (Eta 0)	2,78%
Sensibility (1w - 1 mt)	97,40 dB
Sensibility (2.83 V)	100,45 dB
Voice coil Diameter	39 mm
Voice Coil Wire	CCAW

### Thiele&Small Parameters

Re (ohm)	3,25
Fs (Hz)	118,43
Le (mH)	0,09
Vas (L)	9,24
Cms (mm/N)	0,29
BxL (T*m)	5,32
Qts	0,5
Qms	8,91
Qes	0,53
Xmax (mm - one way)	3,1
Mms (g)	6,14



### Drawing dimension / installation

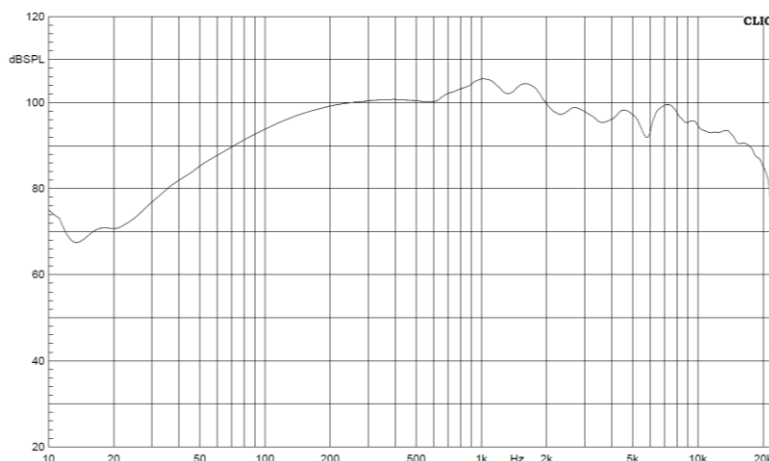


### Technical Parameter

Voice coil winding height	10 mm
Voice coil former	composite fiber
Magnet material	ferrite
Magnet dimension	119*20 mm
Gap Height	6 mm
Demulation ring	yes
Crossover advice HPF	100 Hz - 18 dB
Crossover advice LPF	10 kHz - 12 dB
Minimum power advice	150 WRMS
Terminal connection	Push terminal
Surround Material	Cloth
Surround type	Dual wave
Cone material	Pressed paper

### Speaker / Package dimension

Outer diameter	166 mm
Installation diameter	146 mm
Mounting depth	69 mm
Magnet diameter	119 mm
Type basket	Alluminium
Volume speaker	1,4 L
Speaker Weight	2 kg
Package Weight	2,4 kg
Shipping box	19*19*10 cm



Gs Audio Srl - [www.gsaudio.it](http://www.gsaudio.it)

Via Matteotti 220/A - San Possidonio MO - Italy  
Whatsapp +39 3473263458 - e-mail: [info@gsaudio.it](mailto:info@gsaudio.it)