



GS VOCE 10N624

General Specifications

Nominal Diameter	250 mm
Nominal Impedance	4 ohm
Minium Impedance	3.45 ohm
Power RMS	500
Max Power	1000
Frequency Range	80 ÷ 6000 Hz
Efficiency (Eta 0)	2,78%
Sensibility (1w - 1 mt)	96,7 dB
Sensibility (2.83v)	100,5 dB
Voice coil Diameter	62 mm
Voice Coil Wire	CCAW

Parameter Thiele Small

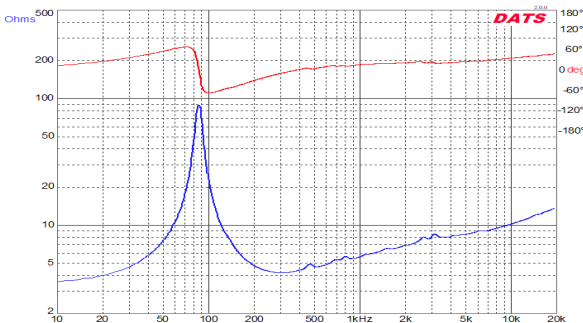
Re (ohm)	3,45
Fs (hz)	86
Le (mH)	0,16
Vas (L)	22,9
Cms (mm/N)	0,11
BxL (T*m)	10,8
Qts	0,48
Qms	12,4
Qes	0,5
Xmax (mm - one way)	4,0
Mms (g)	31,4

Technical Parameter

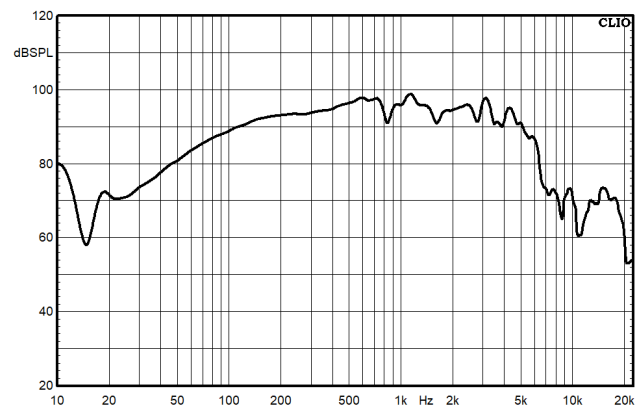
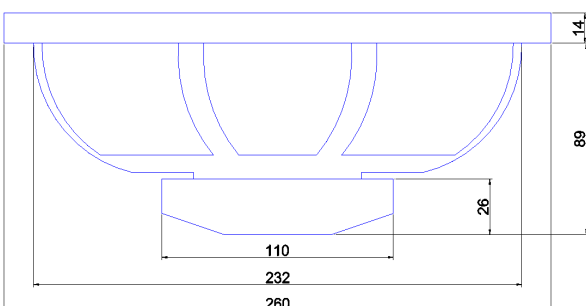
Voice coil winding height	13 mm
Voice coil forner	composite fiber
Magnet material	neodimium
Magnet dimension	110*6mm
Gap Height	8 mm
Demulation ring	yes
Crossover advice Hpf	80 hz-18db
Crossover advice Lpf	500 hz-12db
Power advice minium	150wrms
Terminal connection	Push terminal
Surround Material	Cloth
Surround type	Dual wave
Cone material	Pressed paper

Dimension Speaker / Package

Outer diameter	260mm
Installation diameter	235mm
Mounting depth	86 mm
Magnet diameter	110 mm
Type basket	Alluminium
Volume speaker	2.3 L
Speaker Weight	2,3 kg
Pakage Weight	2,5 kg
Shipping box	28*28*13 cm



Drawing dimension / installation



LogChirp: dB SPL 1/6 Octave 48kHz 16K Half Hanning Start 0.00ms Stop 341.31ms FreqLO 2.93Hz Length 34 File:

Gs Audio Srl - www.gsaudio.it

Via matteotti 220/A - San Possidonio MO - Italy

Whatsapp + 393473263458 - Mail: info@gsaudio.it