



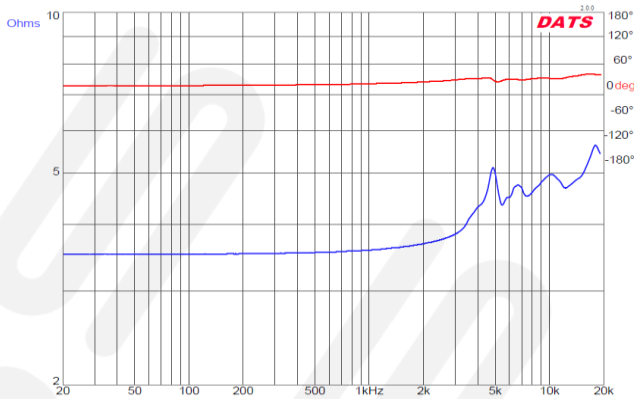
GS-TW27NEO

General Specifications

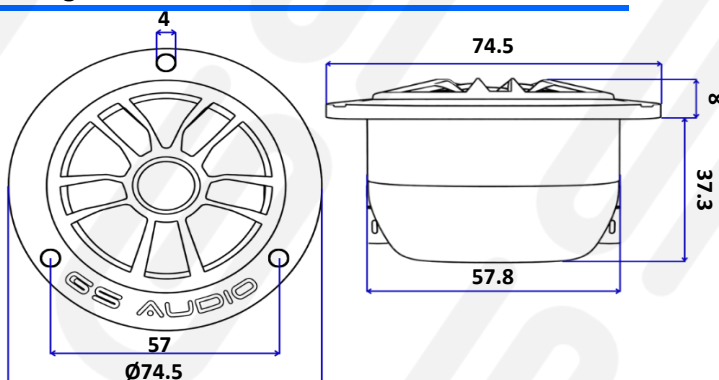
Throat Diameter	1"/25 mm
Impedance	4 Ohm
Minimum Impedance	3.5 Ohm
RMS Power	90 WRMS > 4 kHz
Max Power	180 W > 4 kHz
Frequency Range	4 kHz - 20 kHz
Sensitivity (1W - 1m)	107 dB
Sensitivity (2.83V)	108 dB
Voice Coil Diameter	1"/25 mm
Voice Coil Wire	CCAW
Voice Coil Winding Height	0.15"/4 mm
Voice Coil Material	Kapton
Diaphragm Material	Titanium

Thiele&Small Parameters

Re (Ohm)	3.51
Fs (Hz)	17797
Le (mH) at 10kHz	0.06
Qts	0.89
Qms	1.43
Qes	2.39



Drawing Dimensions / Installation

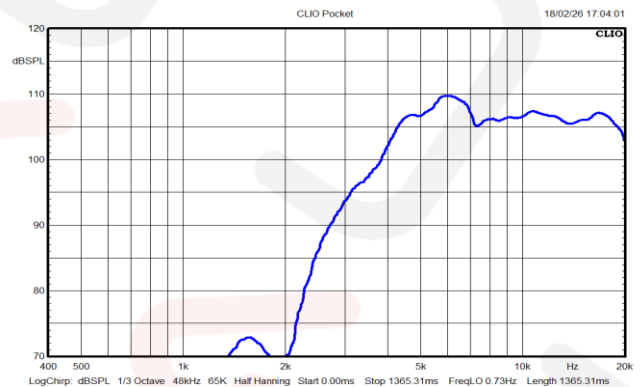


Technical Parameters

Magnet Material	Neodymium
Magnet Dimensions	1x0.3"/25x8 mm
Gap Height	0.13"/3.5 mm
Recommended Minimum Power	25 WRMS
Terminal Connection	Push Terminals

Speaker / Package Dimensions

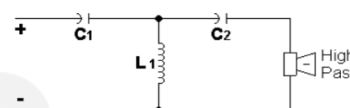
Outer Diameter	2.9"/74.5 mm
Mounting Hole Diameter	2.3"/58 mm
Mounting Depth	1.5"/37.3 mm
Magnet Diameter	2.3"/58 mm
Speaker Volume	0.10 L
Speaker Weight	0.6 lb/270 g
Package Weight	0.7 lb/330 g
Shipping Box Dimensions	4x3x2.5"/100x85x65 mm



Graph measured at 2V - 1m / 4Ω

For a clearer sound it is recommended:

Recommended Crossover (HPF) 4000 Hz - 18 dB



C1= 6.1 uF
C2= 18.5 uF
L1= 0.13 mH

GS Audio Srl - www.gsaudio.it

Via G. Matteotti 220/A - San Possidonio MO - Italy

WhatsApp +39 3473263458 - e-mail: info@gsaudio.it