

SILVER 6500

DIMENSIONS

10" / 12"

15" / 18"

POWER

3250W RMS

6500W PEAK



COIL

3"/76 CCAW

D1/D2
IMPEDANCE

TUNE BOX

32/36 HZ



10"



12"



15"



18"

- Silver series subwoofers are characterized by a double 220mm ferrite magnet and "UFO" polar plates.
- The imposing magnetic group guarantees exceptional performance, power holding and ventilation of the mobile coil.
- Carbon cable dust of the highest quality to increase the stiffness of the cone. It also has the function of thermal dissipator.
- The suspension in foam ESP with reinforcement ribs guarantees linearity during large excursions, keeping the coil perfectly centered.
- Elastic rubber edge for a perfect pneumatic seal inside the box and to avoid drafts that could cause whistles.
- Bonding carried out with cyanoacrylate glue and the spiders are screwed to the basket for an exceptional mechanical estate.
- The spider, double layer 100% red nomex, allow rigidity and efficiency over time.
- Push spring clamps capable of staying cables up to 16mmq, to transmit all the power of the amplifier to the coil.
- 83mm coil, 4 layers, with aluminum winding covered copper to improve thermal dissipation, all on a high temperature aluminum support.



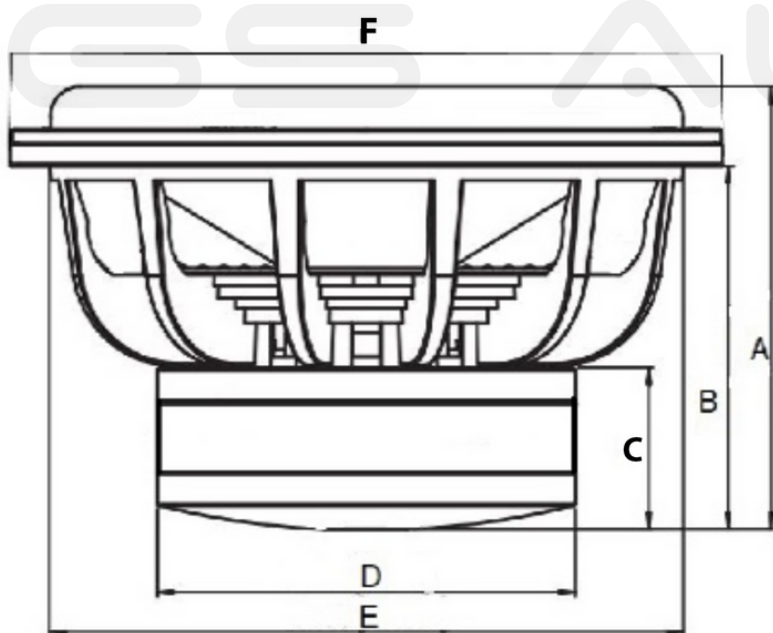
CUSTOMIZABLE COMPONENTS AND SPARE PARTS: 1. RECONE KIT - 2. BASKET - 3. COIL - 4. CONE AND DUSTCUP - 5. SPIDER PACK/SPIDER KIT - 6. SUSPENSION

SOUND QUALITY

EFFICIENCY

MAXIMUM SPL

MODEL	THIELE&SMALL PARAMETERS														DIMENSIONS (MM)					
	Qts	Vas (L)	Fs (Hz)	Re (Ω)	Mms (g)	Xmax (mm)	Qms	Qes	SPL 2.83Vrms	BxL (Tm)	Sd (cm²)	RMS	Peak	A	B	C	D	E	F	
Silver 10" D1 ohm	0.24	14.1	32.97	2.4	242.6	56	6.46	0.25	90.3	22.1	399.7	3250	6.5kw	235	195	100	225	240	265	
Silver 10" D2 ohm	0.26	11.4	35.66	4.1	258.2	56	6.348	0.28	87.5	29.5	399.7	3250	6.5kw	235	195	100	225	240	265	
Silver 12" D1 ohm	0.37	37.3	37.01	2.0	173.3	56	5.959	0.40	94.8	14.3	523.4	3250	6.5kw	250	220	100	225	285	320	
Silver 12" D2 ohm	0.28	40.5	36.34	4.2	165.5	56	5.981	0.30	92.9	23.1	523.4	3250	6.5kw	250	220	100	225	285	320	
Silver 15" D1 ohm	0.46	80.9	32.97	2.0	242.6	56	6.31	0.49	95.6	14.3	812.7	3250	6.5kw	285	255	100	225	354	390	
Silver 15" D2 ohm	0.36	80.9	32.97	4.2	242.6	56	6.280	0.38	93.5	23.6	812.7	3250	6.5kw	285	255	100	225	354	390	
Silver 18" D1 ohm	0.54	159.5	30.28	2.0	319.6	56	7.412	0.59	96.7	14.5	1202.8	3250	6.5kw	320	273	100	225	425	465	
Silver 18" D2 ohm	0.42	179.3	30.28	4.2	284.3	56	7.599	0.44	95.2	22.6	1202.8	3250	6.5kw	320	273	100	225	425	465	



55L - SUGGESTED BOX 10" - Tuning freq. 36Hz		
A	36 (cm)	DIMENSIONS SHEET BOX (cm)
B	60 (cm)	35x60 (2 pieces)
C	35 (cm)	60x32 (2 pieces)
D	24 (cm)	32x31 (2 pieces)
F	31 (cm)	
G	27 (cm)	DIMENSIONS SHEET PORT (cm)
H	10 (cm)	31x27 (1 piece)
L	4 (cm)	31x8 (1 piece)

74L - SUGGESTED BOX 12" - Tuning freq. 36Hz		
A	40 (cm)	DIMENSIONS SHEET BOX (cm)
B	70 (cm)	60x35 (2 pieces)
C	35 (cm)	60x36 (2 pieces)
D	28.5 (cm)	31x36 (2 pieces)
F	31 (cm)	
G	30 (cm)	DIMENSIONS SHEET PORT (cm)
H	15 (cm)	30x31 (2 pieces)
L	6 (cm)	31x13 (1 piece)

122L - SUGGESTED BOX 15" - Tuning freq. 34Hz		
A	42 (cm)	DIMENSIONS SHEET BOX (cm)
B	88 (cm)	72x46 (2 pieces)
C	42 (cm)	72x41 (2 pieces)
D	35.4 (cm)	41x42 (2 pieces)
F	38 (cm)	
G	31 (cm)	DIMENSIONS SHEET PORT (cm)
H	18 (cm)	38x31 (1 piece)
L	7 (cm)	38x16 (1 piece)

147L - SUGGESTED BOX 18" - Tuning freq. 32Hz		
A	42 (cm)	DIMENSIONS SHEET BOX (cm)
B	90 (cm)	90x49 (2 pieces)
C	49 (cm)	90x38 (2 pieces)
D	42.5 (cm)	45x38 (2 pieces)
F	45 (cm)	
G	31 (cm)	DIMENSIONS SHEET PORT (cm)
H	15 (cm)	45x31 (1 piece)
L	7 (cm)	45x13 (1 piece)

