

# PLATINUM 4000

**DIMENSIONS**

10" / 12"

15" / 18"

**POWER**

2000W RMS

4000W PEAK



**COIL**

3"/76 100%  
copper  
D1/D2  
IMPEDEZA

**TUNE BOX**

32/38 HZ



10"



12"



15"



18"

- Platinum Series subwoofers feature a 220mm ferrite magnet and "ufo" pole plates.
- With a weight of 12 kg the magnetic assembly is perfect for an entry level subwoofer capable of entertaining.
- Highest quality carbon dust cover to increase the rigidity of the cone.
- The Foam suspension with double stitching on the cone and reinforcement rings guarantees linearity during large excursions.
- New pneumatic rubber edge for a perfect seal inside the box and to avoid drafts that could cause whistling.
- Bonding carried out with cyanoacrylate glue and spider assembly screwed to the basket for exceptional mechanical strength.
- High quality nomex red spider to maintain performance over time.
- Spring terminals capable of housing a cable of up to 16mm<sup>2</sup> to be able to transmit all the power of the amplifier to the coil.
- New 81mm coil, 4 layers, with 100% pure copper winding capable of generating large excursions. The anodized aluminum former is able to withstand the large forces generated by the coil.



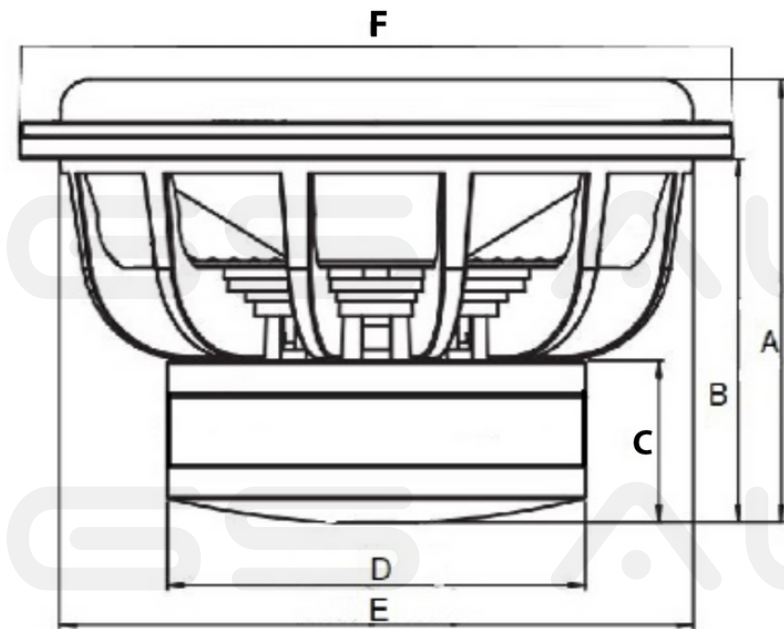
**CUSTOMIZABLE COMPONENTS AND SPARE PARTS:** 1. RECONE KIT - 2. BASKET - 3. COIL - 4. CONE AND DUSTCUP - 5. SPIDER PACK/SPIDER KIT - 6. SUSPENSION

**SOUND QUALITY**

**EFFICIENCY**

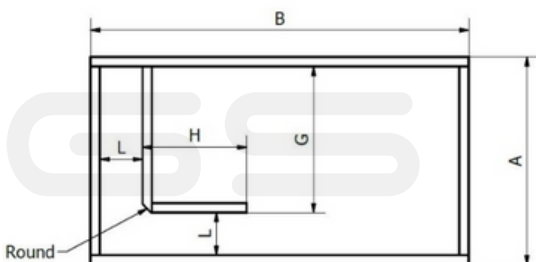
**MAXIMUM SPL**

MODELS	THIELE&SMALL PARAMETERS													DIMENSIONS (MM)					
	Qts	Vas (L)	Fs (Hz)	Re (Ω)	Mms (g)	Xmax (mm)	Qms	Qes	SPL 2.83Vrms	BxL (Tm)	Sd (cm²)	RMS	Peak	A	B	C	D	E	F
Platinum 10" D2 ohm	0,366	16,85	37,68	3,55	198,2	38	5,973	0,389	85,9	20,2	381	2000	4kw	180	140	70	225	240	272
Platinum 10" D1 ohm	0,366	15,80	34,32	2,24	251,95	36	6,134	0,389	84,05	17,70	381	2000	4kw	180	140	70	225	240	272
Platinum 12" D2 ohm	0,439	33,15	39,03	3,59	183,79	38	6,140	0,473	91,56	18,50	530	2000	4kw	190	155	70	225	282	312
Platinum 12" D1 ohm	0,419	29,79	38,36	2,26	211,75	36	6,456	0,448	93,13	16,03	530	2000	4kw	190	155	70	225	282	312
Platinum 15" D2 ohm	0,527	97,33	35,66	3,60	197,77	38	6,221	0,576	94,21	16,65	866	2000	4kw	220	185	70	225	347	395
Platinum 15" D1 ohm	0,479	85,71	34,32	2,25	242,54	36	6,521	0,517	95,66	15,10	866	2000	4kw	220	185	70	225	347	395
Platinum 18" D2 ohm	0,541	197,90	30,95	3,57	281,74	38	6,026	0,595	95,34	18,14	1281	2000	4kw	270	220	70	225	425	468
Platinum 18" D1 ohm	0,504	195,26	30,28	2,24	298,38	36	6,821	0,544	97,40	15,31	1281	2000	4kw	270	220	70	225	425	468

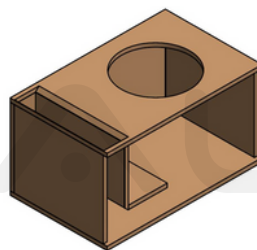
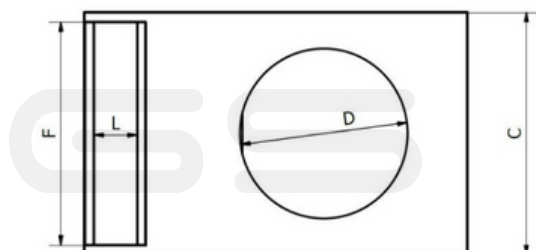


60L - SUGGESTED BOX 10" - Tuning freq. 37Hz		
A	38 (cm)	<b>DIMENSION SHEET BOX (cm)</b>
B	60 (cm)	36x60 (2 pezzi)
C	36 (cm)	60x34 (2 pezzi)
D	24 (cm)	34x32 (2 pezzi)
F	32 (cm)	
G	29 (cm)	<b>DIMENSION SHEET PORT (cm)</b>
H	20 (cm)	36x29 (1 pezzo)
L	5 (cm)	36x18 (1 pezzo)

80L - SUGGESTED BOX 12" - Tuning freq. 36Hz		
A	40 (cm)	<b>DIMENSION SHEET BOX (cm)</b>
B	66 (cm)	40x66 (2 pezzi)
C	40 (cm)	66x36 (2 pezzi)
D	28.5 (cm)	36x36 (2 pezzi)
F	36 (cm)	
G	31 (cm)	<b>DIMENSION SHEET PORT (cm)</b>
H	18 (cm)	36x30 (1 pezzo)
L	6 (cm)	36x16 (1 pezzo)



120L - SUGGESTED BOX 15" - Tuning freq. 34Hz		
A	44 (cm)	<b>DIMENSION SHEET BOX (cm)</b>
B	85 (cm)	85x42 (2 pezzi)
C	42 (cm)	85x40 (2 pezzi)
D	35.4 (cm)	38x40 (2 pezzi)
F	38 (cm)	
G	33 (cm)	<b>DIMENSION SHEET PORT (cm)</b>
H	10 (cm)	33x38 (1 pezzo)
L	7 (cm)	38x12 (1 pezzo)



134L - SUGGESTED BOX 18" - Tuning freq. 32Hz		
A	42 (cm)	<b>DIMENSION SHEET BOX (cm)</b>
B	86 (cm)	86x47 (2 pezzi)
C	47 (cm)	86x38 (2 pezzi)
D	42.5 (cm)	38x44 (2 pezzi)
F	44 (cm)	
G	30 (cm)	<b>DIMENSION SHEET PORT (cm)</b>
H	20 (cm)	30x40 (1 pezzo)
L	8 (cm)	18x40 (1 pezzo)

\*Dimensions calculated considering wooden ports 20 mm thick