



[www.gsaudio.it](http://www.gsaudio.it)



## GS-TW38

### General Specifications

Throat Diameter	68 mm (2.7 in)
Impedance	8 Ohm
Minimum Impedance	6.2 Ohm
RMS Power	170 WRMS > 4 kHz
Max Power	350 W > 4 kHz
Frequency Range	3 kHz - 20 kHz
Sensitivity (1W - 1m)	106 dB
Sensitivity (2.83V)	107 dB
Voice Coil Diameter	38 mm (1.5 in)
Voice Coil Wire	CCAW
Voice Coil Winding Height	2 mm (0.08 in)
Voice Coil Material	Polyester
Diaphragm Material	Titanium

### Technical Parameters

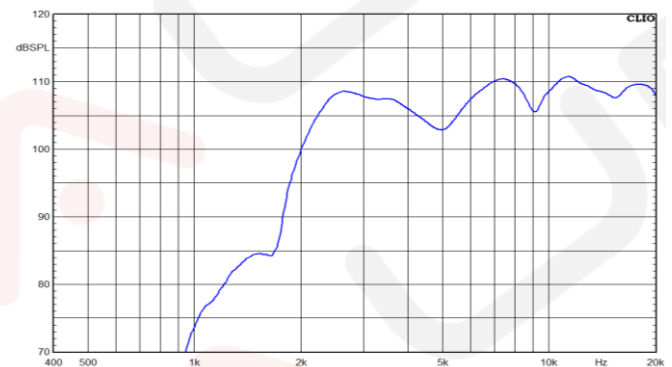
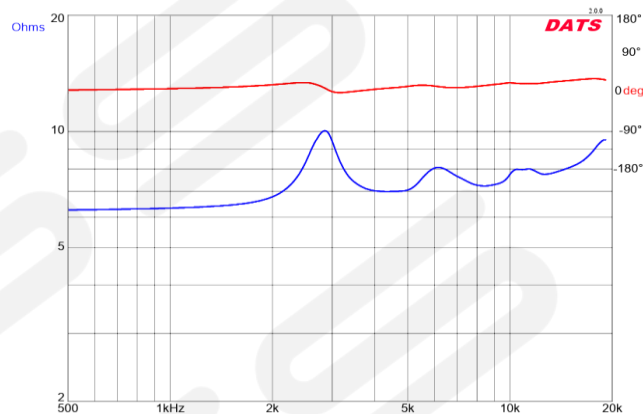
Magnet Material	Ferrite
Magnet Dimensions	90x17mm (3.5x0.6 in)
Gap Height	3 mm (0.12 in)
Recommended Minimum Power	40 WRMS
Terminal Connection	Solder Terminals

### Speaker / Package Dimensions

Nominal Outer Diameter	100x100 mm (4x4 in)
Mounting Hole Diameter	91 mm (3.6 in)
Mounting Hole Spacing	106 mm (4.17")
Mounting Depth	56 mm (2.2 in)
Magnet Diameter	90 mm (3.5 in)
Speaker Volume	0.44 L (0.02 ft <sup>3</sup> )
Speaker Weight	1.22 kg (2.69 lb)
Package Weight (2 tweeters)	1.52 kg (3.35 lb)
Shipping Box Dimensions	250x140x100 mm
Shipping Box Dimensions (inches)	9.84x5.51x4 in

### Thiele&Small Parameters

Re (Ohm)	6.20
Fs (Hz)	2851.80
Le (mH) at 10kHz	0.08
Qts	2.65
Qms	4.3
Qes	6.94

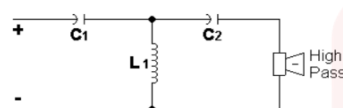


Graph measured at 2.83V - 1m / 8Ω  
Nearfield frequency response measured at

For a clearer sound it is recommended:

### Recommended Crossover (HPF)

**4000 Hz - 18 dB**

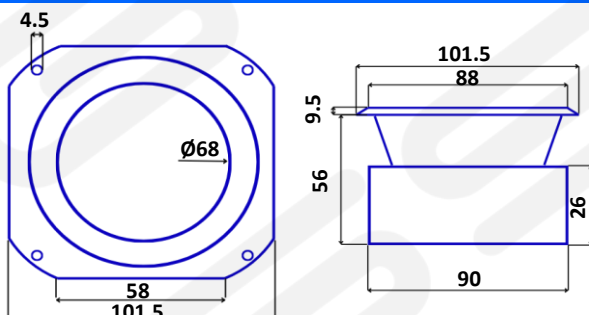


C1= 3.8 uF

C2= 11.4 uF

L1= 0.21 mH

### Drawing Dimensions / Installation



GS Audio Srl - [www.gsaudio.it](http://www.gsaudio.it)

Via G. Matteotti 220/A - San Possidonio MO - Italy

WhatsApp +39 3473263458 - e-mail: [info@gsaudio.it](mailto:info@gsaudio.it)