



PRO DIVISION — 18N6-5000W

TECHNICAL SPECIFICATION

Nominal Woofer Size	460 mm (18 in)
Voice Coil Diameter	150 mm (6 in)
Impedance	4 + 4 Ohm
Minimum Impedance	3.6 + 3.6 Ohm
RMS Power	2500 WRMS
Max Power	5000 W
Frequency Range	40 Hz - 1 kHz
Sensitivity (1W - 1m)	93.29 dB
Sensitivity (2.83V)	93.73 dB
Voice Coil Wire	100% Copper
Voice Coil Winding Height	28 mm (1.1 in)
Voice Coil Material	GFT Fiberglass
Cone Material	Pressed Paper
Magnet Material	Neodymium
Gap Height	12 mm (0.5 in)
Demodulation Ring	No
Terminal Connection	Push Terminals

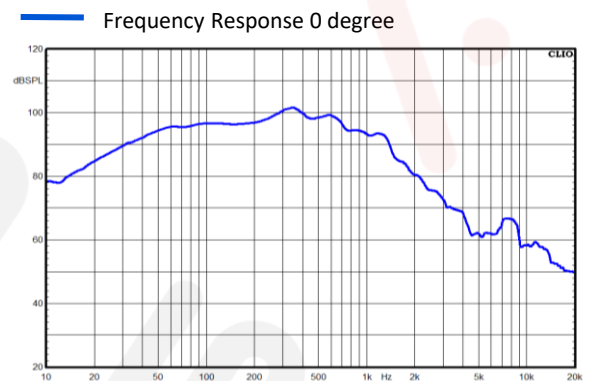
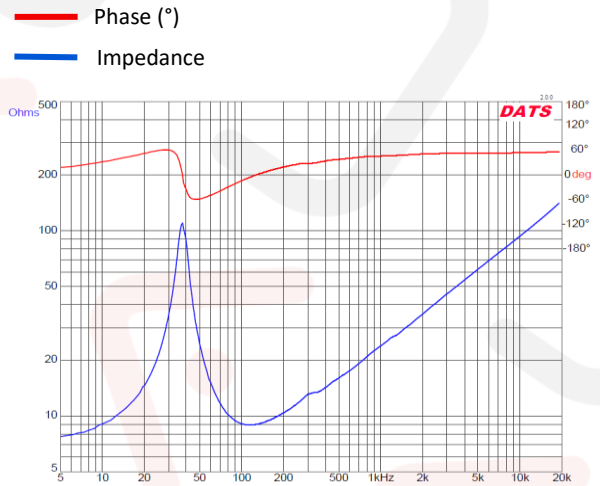
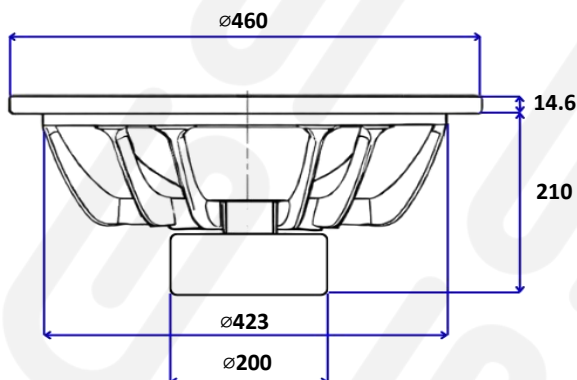
THIELE&SMALL PARAMETERS

Re (Ohm)	7.22
Fs (Hz)	37.68
Le (mH) at 10kHz	1.49
Vas (L)	132.29
Cms (mm/N)	0.06
Bl (Txm)	30.93
Q(ts)	0.48
Q(ms)	7.33
Q(es)	0.51
Xmax (mm - one way)	12
Mms (g)	287.27
Sd (cm ²)	1280
Xdamage (mm)	19.5
Eta Zero n(0)	1.31
Magnetic Flux (T)	1.0

SPEAKER AND PACKAGE DIMENSIONS

Outer Diameter	460 mm (18.1 in)
Mounting Holes	8 x Ø10 mm on 445 mm (17.5 in)
Mounting Diameter	423 mm (16.5 in)
Mounting Depth	210 mm (8.3 in)
Magnet Diameter	200 mm (7.8 in)
Neo. Magnet Dimensions	145 x 8 mm (5.7 x 0.3 in)
Speaker Volume	5.5 L (0.19 ft ³)
Speaker Weight	15 kg (33 lb)
Package Weight	15.6 kg (34.4 lb)
Shipping Box Dimensions	50 x 50 x 30 cm (20 x 20 x 11 in)

DRAWING DIMENSIONS / INSTALLATION



Nearfield frequency response measured at nominal sensitivity